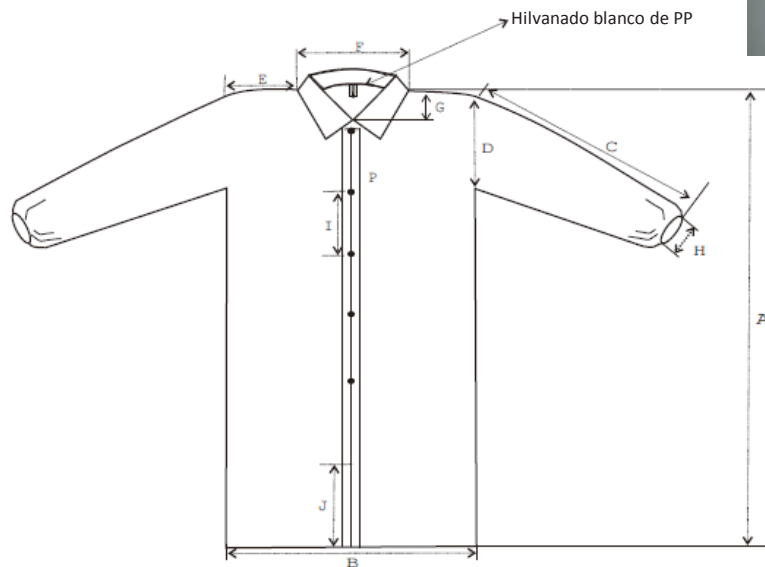


|                                   |   |
|-----------------------------------|---|
| Descripción del producto:         | Bata de laboratorio de polipropileno, blanca, M |
| Código de producto:               | 15431922 (17-100-802)                           |
| Material:                         | 50 g/m <sup>2</sup> de PP SB                    |
| Tamaño:                           | Mediano   |
| Presentación:                     | 25 unidades/bolsa/caja                          |
| Dimensiones del envase de cartón: | 32 x 28 x 25 cm                                 |



| Elemento | Longitud  | Margen   | Comentarios           |
|----------|-----------|----------|-----------------------|
| A        | 95 cm     | +/- 2 cm |                       |
| B        | 62/134 cm | +/- 2 cm |                       |
| C        | 53 cm     | +/- 2 cm |                       |
| D        | 27 cm     | +/- 2 cm |                       |
| E        | 19 cm     | +/- 2 cm |                       |
| F        | 25 cm     | +/- 1 cm |                       |
| G        | 9 cm      | +/- 1 cm |                       |
| H        | 8 cm      | +/- 2 cm |                       |
| I        | 14 cm     | +/- 1 cm |                       |
| J        | 27 cm     | +/- 1 cm | Parte trasera abierta |

© 2017 Thermo Fisher Scientific Inc. All rights reserved.  
 Trademarks used are owned as indicated at [fishersci.com/trademarks](http://fishersci.com/trademarks).

Austria: +43(0)800-20 88 40 Belgium: +32 (0)56 260 260 Denmark: +45 70 27 99 20  
 Germany: +49 (0)2304 9325 Ireland: +353 (0)1 885 5854 Italy: +39 02 950 59 478  
 Finland: +358 (0)9 8027 6280 France: +33 (0)3 88 67 14 14 Netherlands: +31 (0)20 487 70 00  
 Norway: +47 22 95 59 59 Portugal: +351 21 425 33 50 Spain: +34 902 239 303  
 Sweden: +46 31 352 32 00 Switzerland: +41 (0)56 618 41 11 UK: +44 (0)1509 555 500